



Designed and built  
in the UK



## 5-7kW Inset Multifuel stove

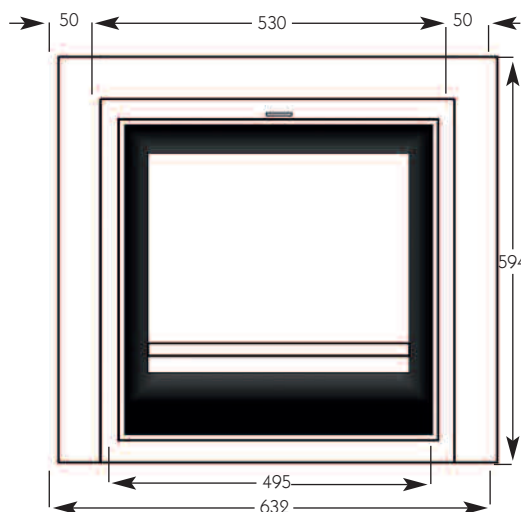
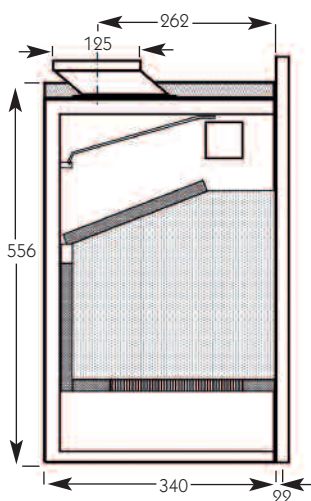
# SERENITY 50

The Brand New **Serenity 50** Multifuel stove is a contemporary inset convection stove designed and produced in the UK. Featuring a black bordered all glass door, this stove will look wonderful in a modern setting or in a town house where cutting edge design and minimalist styling is required.

The stove can either be installed on a hearth or in a hole-in-the-wall situation. With its unique cassette design and offset flue collar which bolts onto the convector casing, the stove is an absolute dream to install without the usual problems normally associated with these types of stoves.

A clean burn skamolex lined firebox and twin baffle system ensures high efficiency and low particulates and with an optional reciprocating grate the stove will happily burn either wood or smokeless fuel.

Sit back, relax and enjoy the dancing flames, the warm convection air, radiant heat and the excellent controllability.



Available with 3 and 4 sided (50mm & 68mm) frame options

# SERENITY



A world of stoves  
a world of choice

**PEVEX ENTERPRISES LIMITED**

**e-mail** [sales@woodstoves.co.uk](mailto:sales@woodstoves.co.uk)

**Tel** 0044 01473 736399

**Fax** 0044 01473 736406

**Web** [www.woodstoves.co.uk](http://www.woodstoves.co.uk)



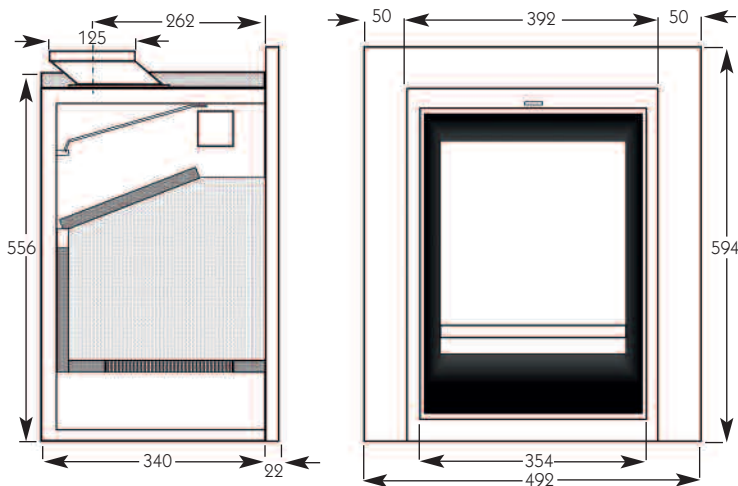
Designed and built  
in the UK



4.5kW Inset Multifuel stove

The **Serenity 40** 4.5kW Inset Convector stove is a stylish contemporary wood burning and multi fuel stove designed to fit into a standard 16"x22" height fireplace opening or can be installed into a raised hole-in-the-wall situation. With its modern black bordered glass door this stove will look wonderful in a fireplace where sharp and minimalist cutting edge design is required. Clean burn firebox technology has been built into the stove to ensure high efficiencies and low particulates with the stove having been recommended to Defra for smoke exemption approval from July 2011. Enjoy the dancing flames and wonderful convection heat that this small stove delivers. Simple primary and secondary air controls and automatic tertiary air ensures that the stove is easy to use and control with a built in air wash to keep the glass spotlessly clean.

British designed and built to high standards of manufacture and quality and incorporating many new and unique innovative design features to make the stove both easier to install and use.



A world of stoves  
a world of choice

**PEVEX ENTERPRISES LIMITED**

e-mail [sales@woodstoves.co.uk](mailto:sales@woodstoves.co.uk)

## SERENITY 40

### MAIN FEATURES

- 4.5kW nominal output
- 82% efficiency and CO 0.16%
- Injected tertiary air for clean burn performance
- Heavy duty steel construction
- Insulated convector box
- Slimline door opening handle with positive locking mechanism
- Large capacious firebox (290mm log length)
- 3 & 4 sided (50mm or 68mm) frame options available
- Tested and approved to EN13229 for wood and solid fuel use
- Recommended to Defra for smoke control exemption approval in July 2011

*SERENITY*

Tel 0044 01473 736399

Fax 0044 01473 736406

Web [www.woodstoves.co.uk](http://www.woodstoves.co.uk)